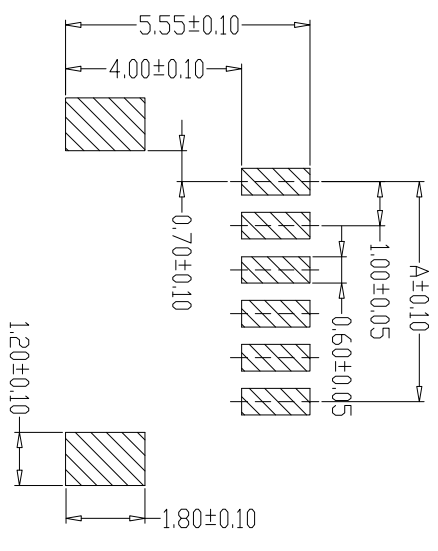
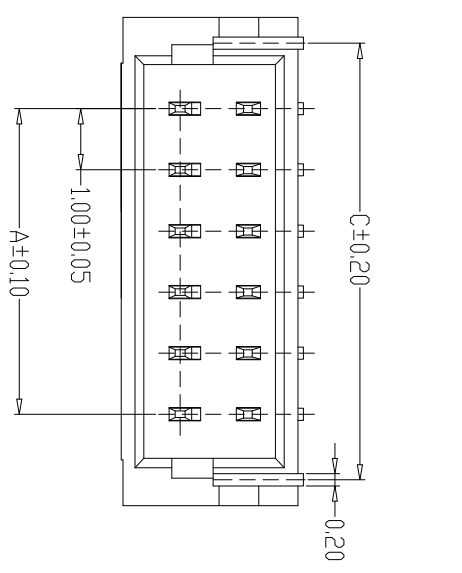
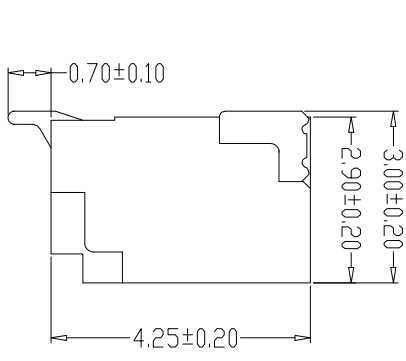
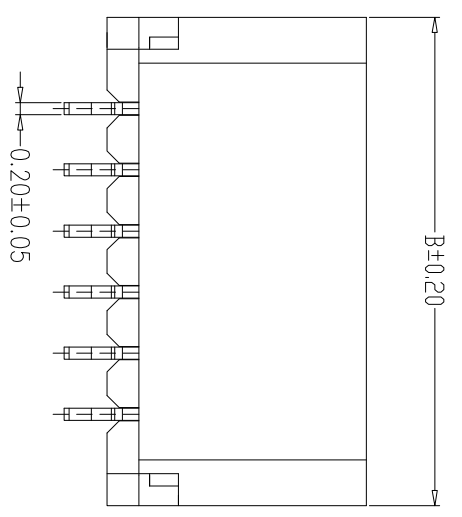


SPECIFICATIONS

- 1、Current Rating: 1A AC, DC
- 2、Voltage Rating: 50V AC, DC
- 3、Temperature Range: -25°C~+85°C
- 4、Contact Resistance: 20mΩ Max
- 5、Insulation Resistance: 100MΩ Min
- 6、Withstanding Voltage: 500V AC/minute
- 7、Material: Wafer Nylon 6T, UL94V-0
PIN Phosphoric bronze Tin-plated
Solder tad Phosphoric bronze Tin-plated

| 编 号 | 尺寸 (mm) | | |
|-------------|---------|-------|-------|
| | A | B | C |
| A1001WF-02A | 1.00 | 4.00 | 3.20 |
| A1001WF-03A | 2.00 | 5.00 | 4.20 |
| A1001WF-04A | 3.00 | 6.00 | 5.20 |
| A1001WF-05A | 4.00 | 7.00 | 6.20 |
| A1001WF-06A | 5.00 | 8.00 | 7.20 |
| A1001WF-07A | 6.00 | 9.00 | 8.20 |
| A1001WF-08A | 7.00 | 10.00 | 9.20 |
| A1001WF-09A | 8.00 | 11.00 | 10.20 |
| A1001WF-10A | 9.00 | 12.00 | 11.20 |
| A1001WF-11A | 10.00 | 13.00 | 12.20 |
| A1001WF-12A | 11.00 | 14.00 | 13.20 |
| A1001WF-20A | 19.00 | 22.00 | 21.20 |



PCB LAYOUT

| | | | |
|------------------|------------|------|--|
| | 单位 | mm | 深圳市泰华电子有限公司 TaiHua Electronics Co., Ltd |
| | 比例 | | |
| $x \pm 0.5$ | $x \pm$ | 版本: | A0 |
| $x \pm 0.30$ | $x \pm$ | 核准: | |
| $.xx \pm 0.20$ | $.xx \pm$ | 审核: | 1/1 |
| $.xxx \pm 0.008$ | $.xxx \pm$ | 制图: | 封文辉 |
| | | 日期: | 2022.10.24 |
| | | 客户料号 | TH-A1001WF-NA |
| | | 客户名称 | |